



axxess



All in one in-desk power and data management system.

The AXXESS provides power & data solutions to your desktop, work station or boardroom table. It has been designed to allow cables to be stored within the unit while not in use.

The lid sits flush when in use and the cables come out of the spring release lip.

The unique locking arm system ensures that the AXXESS is securely fitted to the table/desk top by operating screws at each end of the Axxess. Once fixed, the locking screws are covered with a screw cover.

Standard colour silver extrusion and grey endcaps with standard black POWERUNIT and data.

All Office Electrics products are manufactured to enable compliance with BS6396 where relevant. UK sockets incorporate fuses as standard with colour coded inserts indicating fuse rating. Unfused sockets may be specified where applicable.



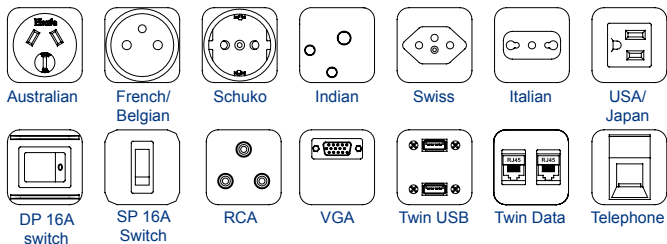
office electrics



1 Calder Point, Monckton Road Industrial Estate,  
Wakefield, West Yorkshire, WF2 7AL  
Tel: +44 (0) 1924 367255 Fax: +44 (0) 1924 290652  
Email: sales@office-electrics.co.uk www.office-electrics.com

Elsafe, Unit 1, 17 Rodborough Road,  
Frenchs Forest NSW 2086, Australia  
Tel: +61 2 9454 7500 Fax: +61 2 9454 7505  
Email: sales@elsafe.com.au www.elsafe.com.au

## Common Modular Components\*



\*see website for more

Cable guides at either end, guide the cables towards the lip, so that damage to the cables is avoided by scissor action of lid closing

Screw cover hides the screw for stylish finish

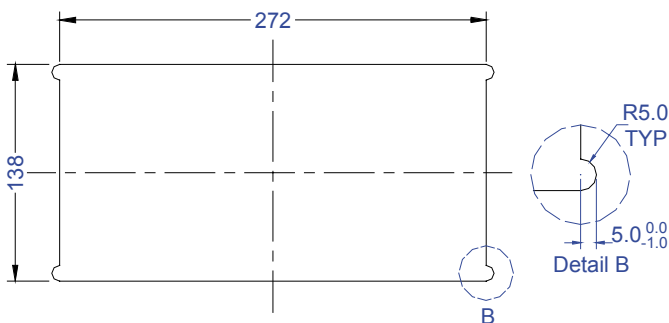
Data cartridge can be removed to allow easier loading on site

Spring release lid allows cables to exit while main lid is lowered.

Power requirements can be configured to suit specifications for most worldwide countries.

Large compartment allows cables to be stored inside to avoid desk-top clutter.

## Cutout dimensions



## Features

### Configuration:

Power only / Data only / Combined (Power & Data/AV)  
Segregation between Power and Data/AV in combined AXCESS units

### Earth Bonding:

A rewirable external earth terminal allows the removal/change of earth bondings leads without dismantling the unit.

### Fusing: (to enable compliance to BS6396)

5 x 20mm anti-surge ceramic fuses, with colour-coded fuseclips to denote the rating (3.15A/5A)

### Insulation:

Re-inforced insulation

### Testing:

100% testing - continuity, polarity, insulation & earth

### Soft Wiring (power)

Power via Wieland ST/GST connector allows starter cables to be changed to suit requirements, especially useful during moves and changes (CHURN)

### Soft Wired Data

As well as soft-wired power, AXCESS can accommodate soft wired data. Using our inline couplers, data cables can be changed "on-site" to accommodate changes in length often associated with churn

## Unit Dimensions

