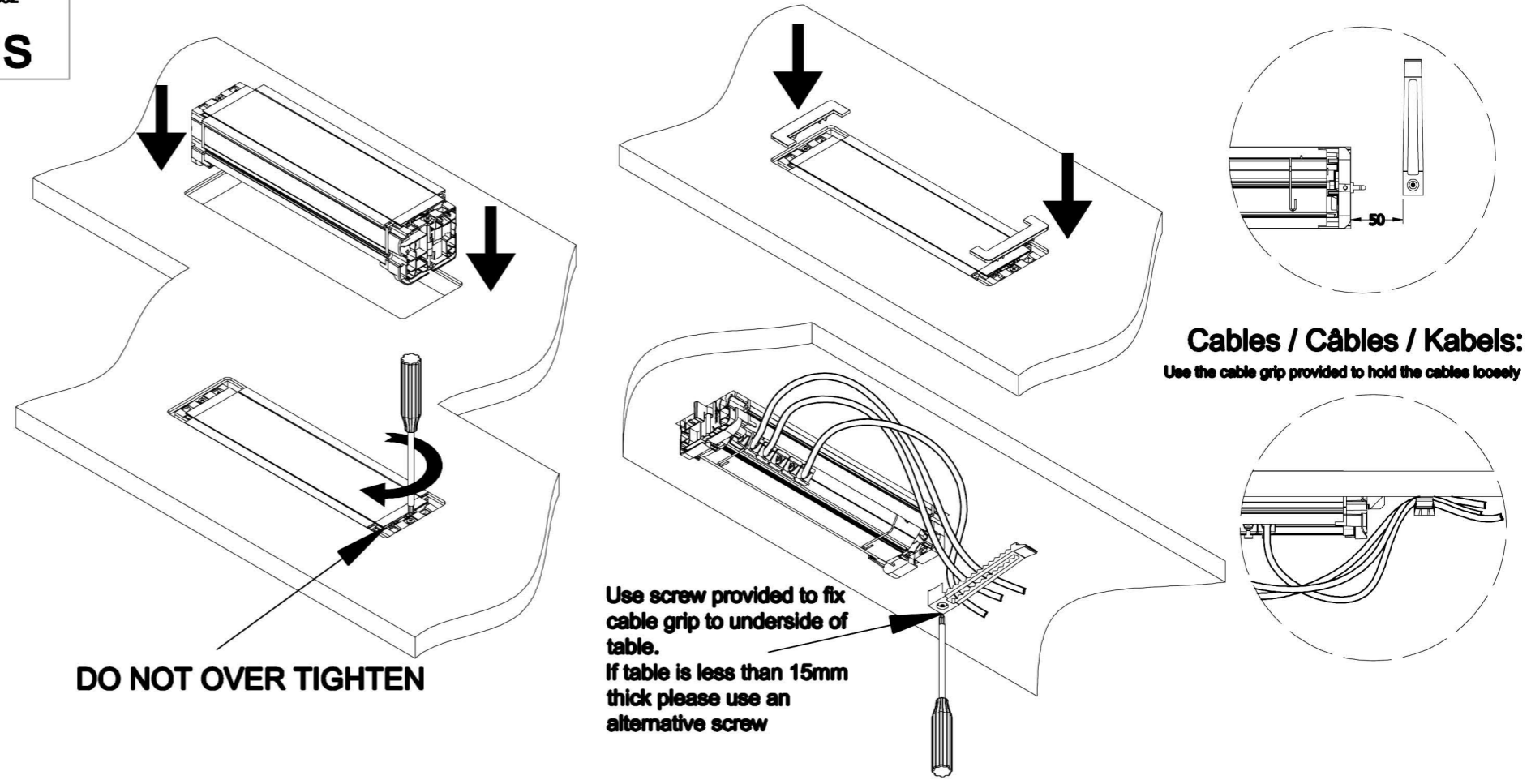
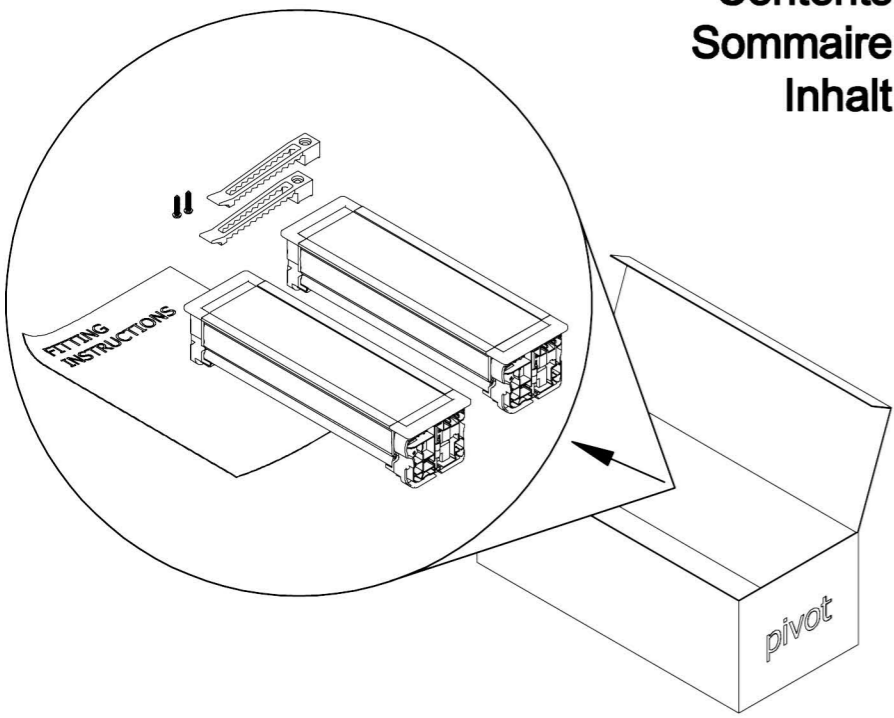
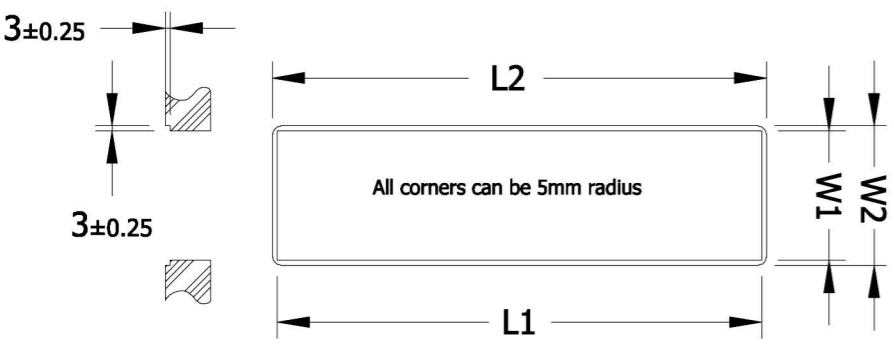


# PIVOT installation instructions

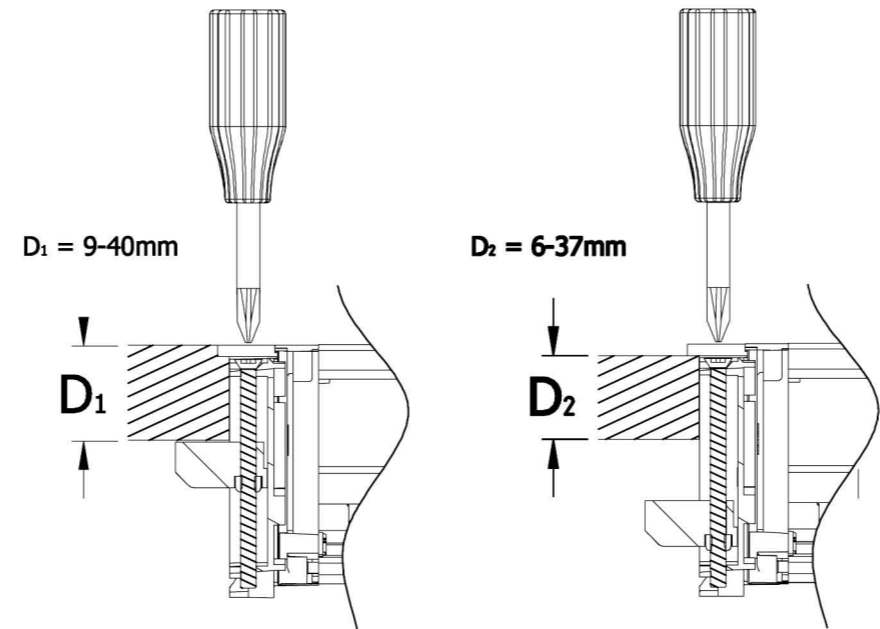
Contents  
Sommaire  
Inhalt



Size	pivot 10	pivot 25	pivot 47	pivot 77
<b>L1</b>	100(+2/-0)	180(+2/-0)	299(+2/-0)	458(+2/-0)
<b>W1</b>	80(+2/-0)	80(+2/-0)	80(+2/-0)	80(+2/-0)
<b>L2</b>	106.5(±0.25)	185.7(±0.25)	305.0(±0.25)	464.0(±0.25)
<b>W2</b>	86(±0.25)	86(±0.25)	86(±0.25)	86(±0.25)

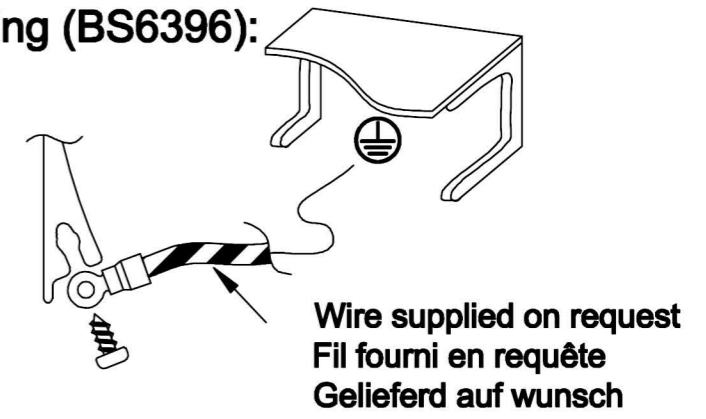


## Fixing / Fixation / Befestigung:



\* Max thickness of desk with recess: 40mm  
Min thickness of desk with recess: 9mm  
Max thickness of desk without recess: 37mm  
Min thickness of desk without recess: 6mm

## Earthing (BS6396):



## Queries / Questions / Fragen:

**+44 (0) 1924 367255**

