



Compact unit providing flexible modular power and data distribution, ideal for office desks and screens where a limited number of outlets are required.

Standard off the shelf units are available from stock.

POWERUNITs may also be specified to meet particular requirements.

Mains power sockets formats for most countries together with a wide range of data outlets.

Special units with remote switches, thermal resettable fuses, power cleaners.

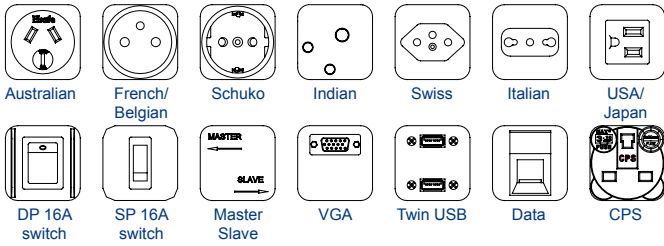
Standard colour is black, other colours are available subject to minimum order quantities.

All Office Electrics products are manufactured to enable compliance with BS6396 or BS7671 where relevant.

UK sockets incorporate fuses as standard with colour coded inserts indicating fuse rating.

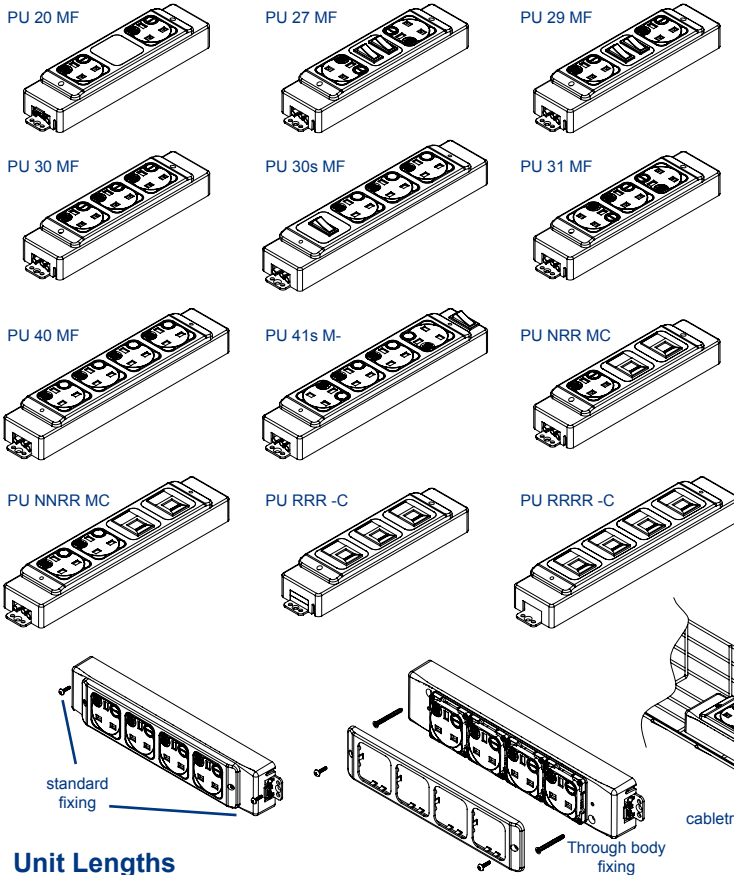


Common Modular Components*



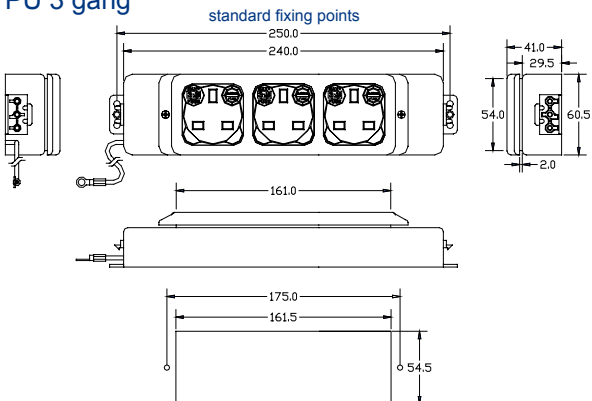
*see website for more

Common Units*

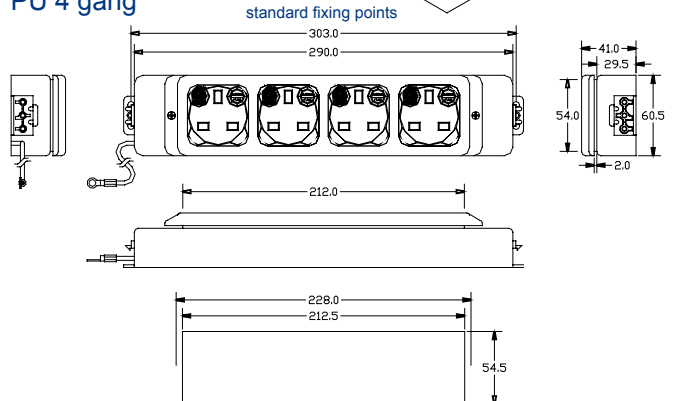


Unit Lengths

PU 3 gang



PU 4 gang



Features

Configuration:

Power only / Data only / Combined (Power & Data/AV)
Internal segregation between Power and Data/AV in combined POWERUNITS

Insulation:

Re-inforced insulation

Earth Bonding:

A rewirable external earth terminal allows the removal/change of earth bonding leads without dismantling the unit.

Fusing: (to enable compliance to BS6396)

5 x 20mm anti-surge ceramic fuses, with colour-coded fuseclips to denote the rating (3.15A/5A)

Testing:

100% testing - continuity, polarity, insulation & earth

Soft Wiring (power)

Power wired to Wieland ST/GST connector allows starter cables to be changed to suit requirements, especially useful during moves and changes (CHURN)

