



The new TARDIS series in desk power and data box has been designed by the Elsafe Research and Development department using environmentally safe and recyclable components. The TARDIS series in desk box provides power and data solutions to your desk top with optional cable management system.

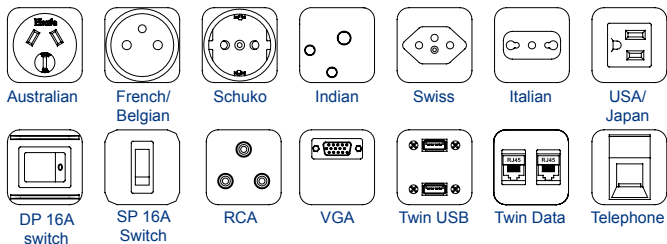
Ideal for Boardroom tables, conference tables, office desk and wherever a classical, stylish, contemporary but practical power and data solution are required.

The TARDIS series in desk box are flush mounted and come in 2 sections making installation quick and easy. The Tardis comes in one standard size allowing for a maximum of 8 power or 6 power 4 data.

The TARDIS series in desk box lids opening edge has a soft bristle insert that fits snugly around the cables allowing the lids to sit tight and flush. A unique feature of these lids are the cable guides attached to either end. The function is to push the cables towards the centre when the lids are closed, thereby avoiding damage to the cables caused by scissor action of lid closing.



Common Modular Components*



*see website for more

Brush Strip

10mm soft bristles to protect power and data cables, providing easy access to power and data outlets.

Cable guides move the cables towards the centre, preventing cables from being damaged

Clamping arms

automatically opens and tightens when screws are turned clockwise

Frame
Finished in naturally anodised aluminium. Designed to fit flush in the desk top.

optional **under-desk caddy+** allows the provision of power, data and other AV and conferencing aids.

Use of **Wieland connectors** allows cables to be changed to suit requirements without uninstalling unit, ideal for CHURN

*Under-desk Caddy comes in black as standard

Features

Configuration:

Power only / Data only / Combined (Power & Data/AV)
Segregation between Power and Data/AV in combined TARDIS units

Fusing:

(to enable compliance to BS6396)
5 x 20mm anti-surge ceramic fuses, with colour-coded fuseclips to denote the rating (3.15A/5A)

Insulation:

Re-inforced insulation

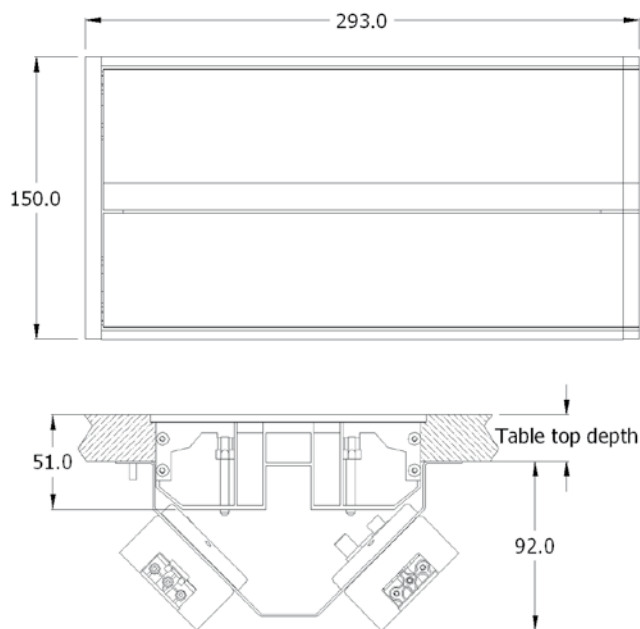
Testing:

100% testing - continuity, polarity, insulation & earth

Soft Wiring (power)

Power via Wieland ST/GST connector allows starter cables to be changed to suit requirements, especially useful during moves and changes (CHURN)

Unit Dimensions



Cutout dimensions

